

# Alpha<sup>®</sup> Eco grinder

## Parts List and Schematic



**Part No: ECG-125/ECG-225**

---

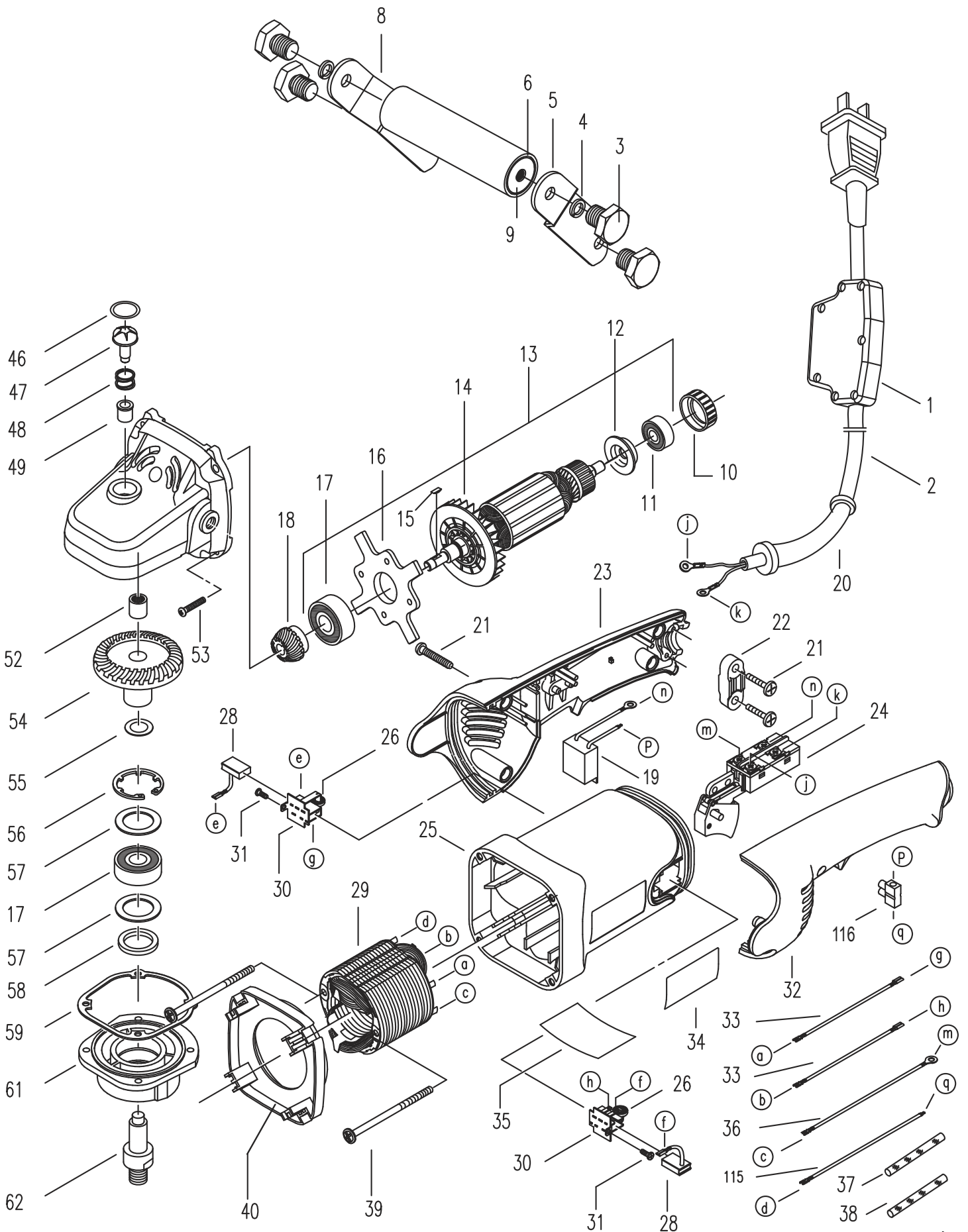
 **Alpha Professional Tools**<sup>®</sup>

103 Bauer Drive, Oakland, NJ 07436 • 800-648-7229 • Fax: 800-286-0114  
[www.alpha-tools.com](http://www.alpha-tools.com)

ECG-125/ECG-225 PARTS LIST AND SCHEMATIC  
OCTOBER 2010

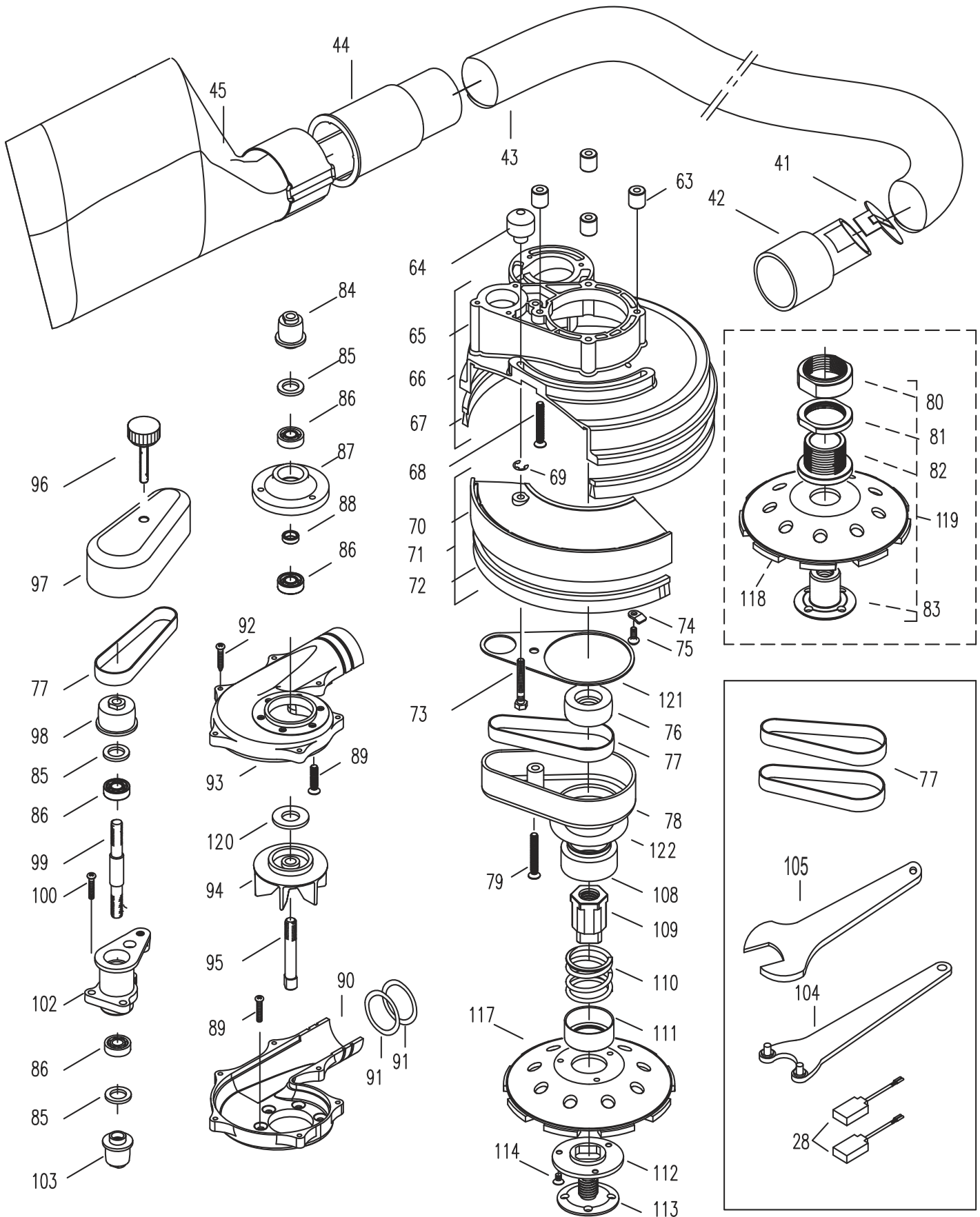
Copyright © 2009 Alpha Professional Tools. All rights reserved.

# ALPHA® ECOGRINDER MOTOR SCHEMATIC (ECG-125)



# ALPHA® ECOGRINDER ATTACHMENT SCHEMATIC

EcoGrinder (110V/220V)



## ALPHA® ECOGRINDER PARTS LIST (ECG-125)

DRAWING NO.	PART NO.	DESCRIPTION	QUANTITY
1	801373	Breaker Assembly 110V	1
2	801324/801350	Power Cord 110V/220V	1
3	801359	Screw M8 x 15	4
4	801360	Lock Washer M8	4
5	801355	Handle Bracket -Left	1
6	801358	Handle Cover	1
8	801356	Handle Bracket -Right	1
9	801357	Handle Tube	1
10	133028	Bearing Sleeve	1
11	133025	Bearing 608-2RZ	1
12	133024	Insulation Disc	1
13	801321/801014	Armature Assembly 110V/220V	1
15	133050	Woodruff Key	1
16	801022	Armature Retainer Plate	1
17	133053	Bearing 6201-2RS	2
18	801064	Gear (small)	1
19	801384	Soft Starter Assembly	1
20	133047	Cable Sleeve	1
21	130031	Self-Tapping Screw 3.9 x 19	6
22	133086	Cable Clamp	1
23	801116	Handle-Right	1
24	801038	Switch w/ screws	1
25	801003	Motor Housing	1
26	801030	Carbon Brush Spring	2
28	801594	Carbon Brush (2 pc set)	2
29	801318/801004	Field Coil 110V/220V	1
30	801029	Carbon Brush Holder	2
31	801080	Self-Tapping Screw 1.9 x 5	2
32	801117	Handle-Left	1
33	801033	Wire (Coil to CB holder)	2
34	801362	Alpha® Name Plate	2
35	801361	Builders Plate 110V	1
36	801032	Wire (Coil to Switch)	1
37	801034	Insulation Pipe 4mm x 55mm (white)	1
38	801311	Insulation Pipe 5mm x 55mm (white)	1
39	801026	Self-Tapping Screw 4.8 x 63	2
40	801024	Air Bridge	1
41	133530	Anti-Back-Flow Flap	1
42	133531	Dust Gate	1

## ALPHA® ECOGRINDER PARTS LIST (ECG-125)

DRAWING NO.	PART NO.	DESCRIPTION	QUANTITY
43	133533	Dust Hose	1
44	133532	Dust Bag Holder	1
45	133544	Dust Bag w/strap 17"x13-1/2"x12"	1
46	130391	O-Ring 16 x 2	1
47	801076	Locking Pin	1
48	130389	Spring	1
49	130395	Bushing	1
50	801071	Gear Housing	1
52	130096	Bearing HK 0810	1
53	801079	Self-Tapping Screw 4.8 x 22	4
54	801058	Gear (Big)	1
55	801061	Washer	1
56	801067	Snap Ring	1
57	801063	Bearing Cover	2
58	801056	Felt Ring 20 x 27 x 1.5	1
59	801074	Gasket	1
61	801054	Bearing Housing	1
62	801326	Spindle	1
63	801330	Spacer Sleeves	4
64	801342	Knob Nut	1
65	801328	Main Casing	1
66	801344	Main Casing (w/ brush)	1
67	801343	Brush Ring-Long (press fit installed by service center )	1
68	801322	Screw M4 x 32	4
69	130798	Retainer Ring-E	1
70	801352	Slide Cover	1
72	801365	Brush Ring-Short (press fit installed by service center)	1
71	801345	Slide Cover (w/ brush)	1
73	801341	Screw M5 x 35	1
74	801340	Retainer Clip	1
75	135251	Screw M4 x 6	1
76	801337	Bottom Pulley	1
77	801602	Fan Belt Set (2 pc set)	2
78	801351	Inner Cover	1
79	133515	Screw M5 x 30	1
80	801347	Adjust Nut	1

## ALPHA® ECOGRINDER PARTS LIST (ECG-125)

DRAWING NO.	PART NO.	DESCRIPTION	QUANTITY
81	801348	Lock Nut	1
82	801346	Adjust Screw	1
83	801349	Flange Nut	1
84	801336	Pulley (Outside Small)	1
85	133502	Felt Rings D19xD12xT2	3
86	133492	Bearing 698 2-RS	4
87	133500	Bearing Housing	1
88	133498	Spacer D12xD8.5x4T	1
89	133505	Screw M5 x 10	6
90	133497	Fan Case -Right	1
91	133067	O-Ring 25.5 x 2	2
92	133460	Self-Tapping Screw 3.9 x 16	6
93	133493	Fan Case -Left	1
94	801334	Fan	1
95	801335	Fan Shaft	1
96	133511	Knob Bolt	1
97	133510	Outer Cover	1
98	801332	Pulley (Outside Large)	1
99	801331	Pulley Shaft	1
100	133512	Screw M5 x 15	3
102	133486	Housing Adapter	1
103	801333	Pulley (Inside Small)	1
104	130434	Pin Spanner Wrench 34 mm	1
105	801380	Wrench 24mm	1
108	801375	Spring Retainer -Top	1
109	801376	Flange Nut	1
110	801377	Spring	1
111	801378	Spring Retainer -Bottom	1
112	801381	Drive Plate Adapter	1
113	801379	Flange Bolt	1
114	801382	Flat Head Screw M4x6	3
115	801385	Wire (Field Coil to Block Terminal)	1
116	130618	Block Terminal	1
117	DSQ0500	Segmented Grinding Cup Wheel w/ 26mm Arbor	1
118	DEC005*	Segmented Grinding Cup Wheel w/ 7/8" Arbor	1
119	890001*	Manual Height Adjustment Flange Assembly (80-83)	1
120	133615	Felt Rings D26.6xD12.5xT2	1
121	801629	Inner Cover Gasket	1
122	801630	Dust Shield D60xD42x50.35	1