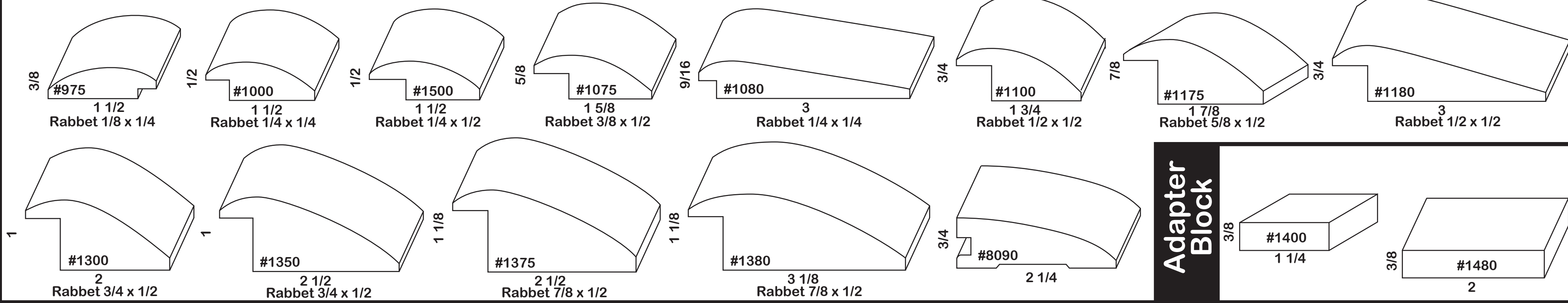
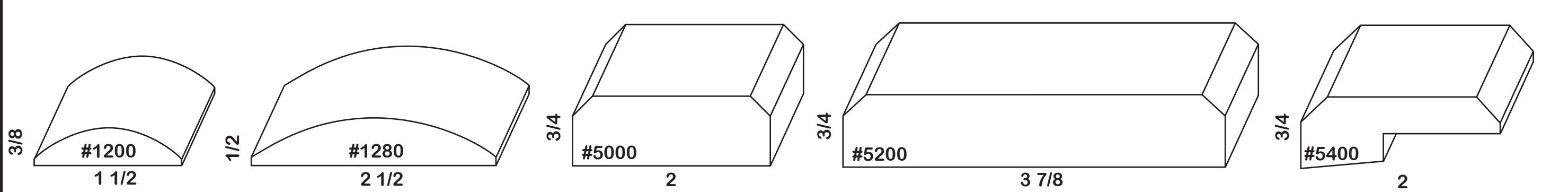


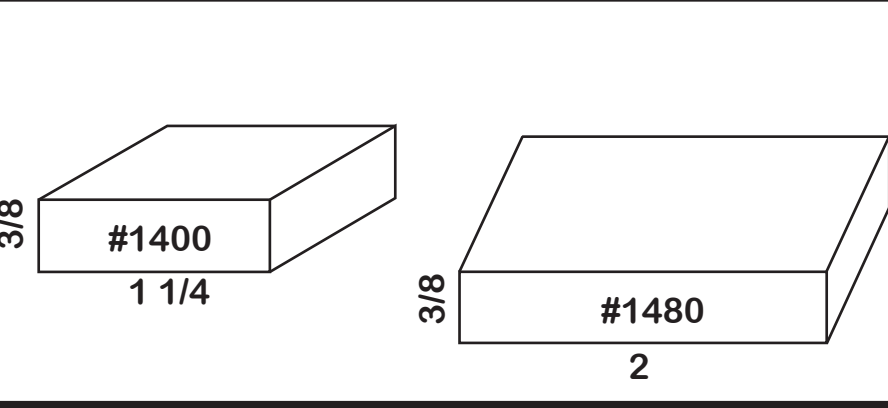
Reducers



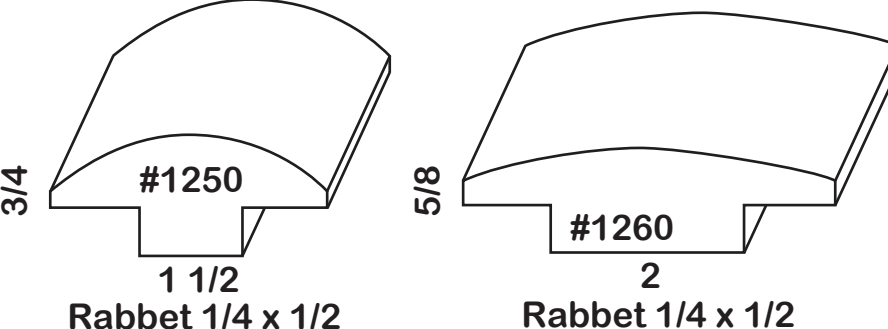
Threshold



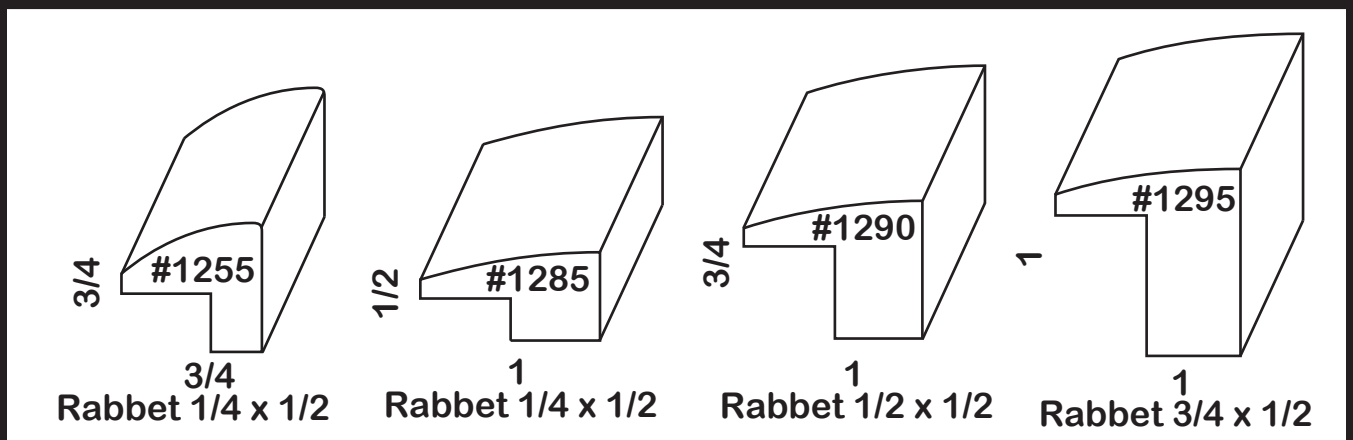
Adapter Block



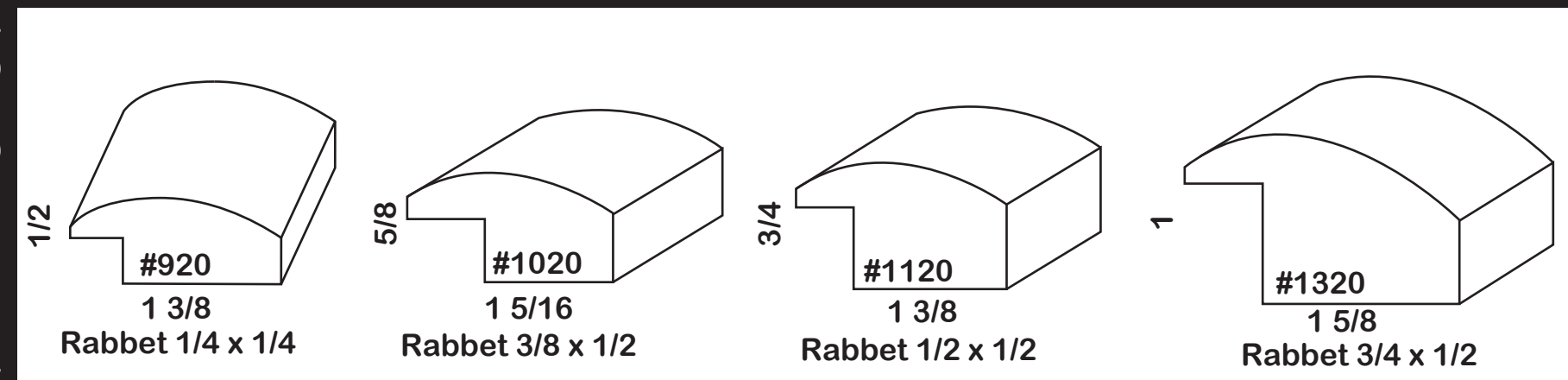
T-Mold



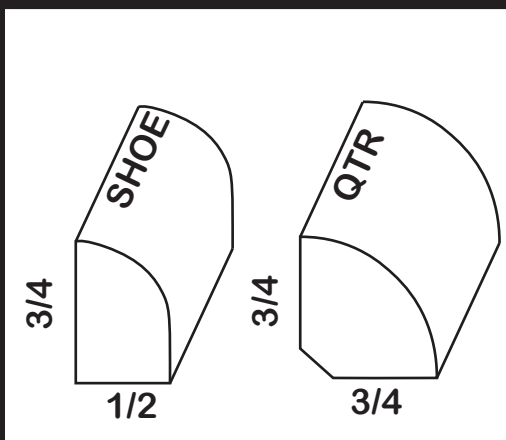
Split T-Mold



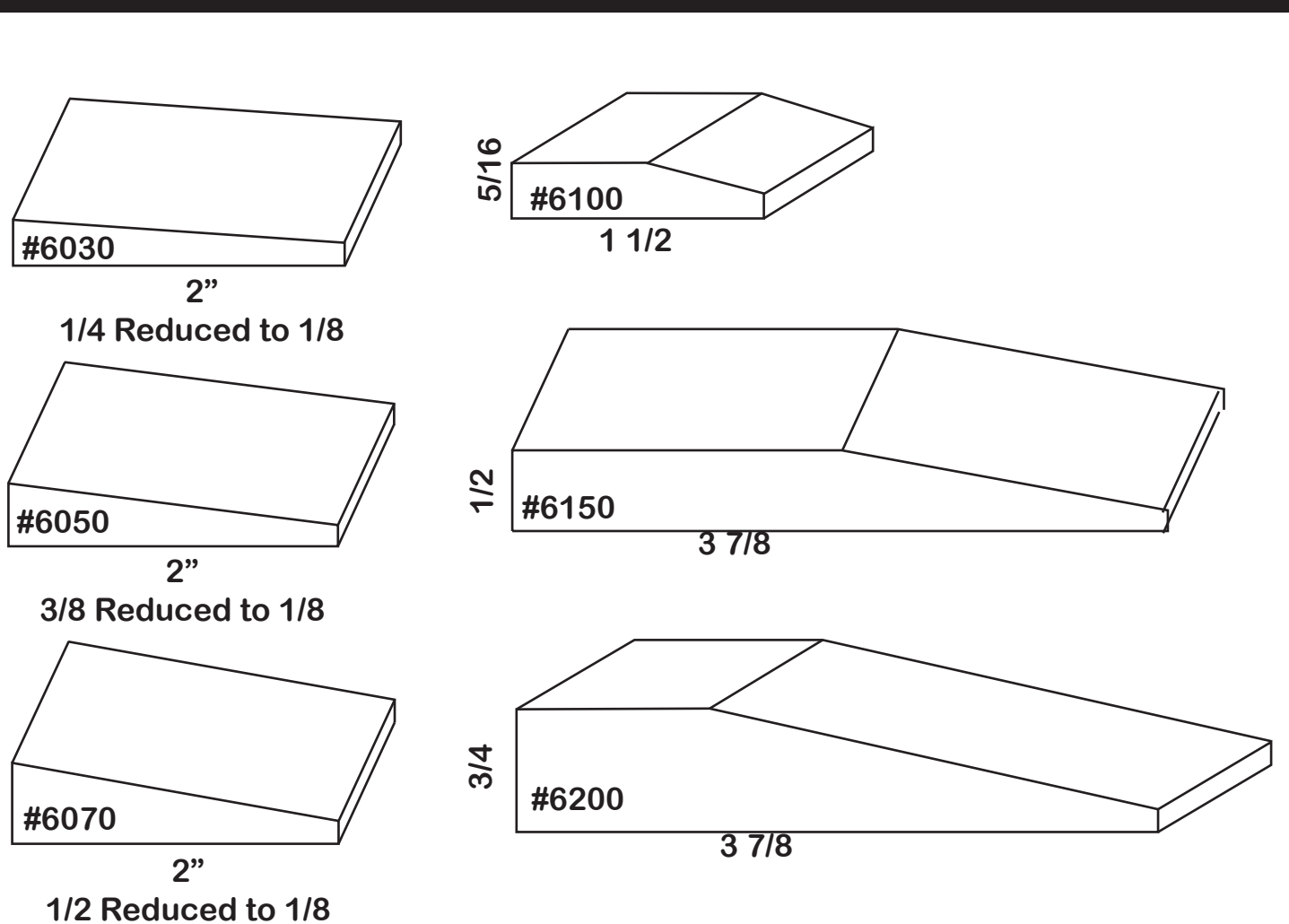
Overlap Reducers (with tucking edge)



Qtr. & Shoe



Butting Edge Reducers



Nosings & Counter Trim

